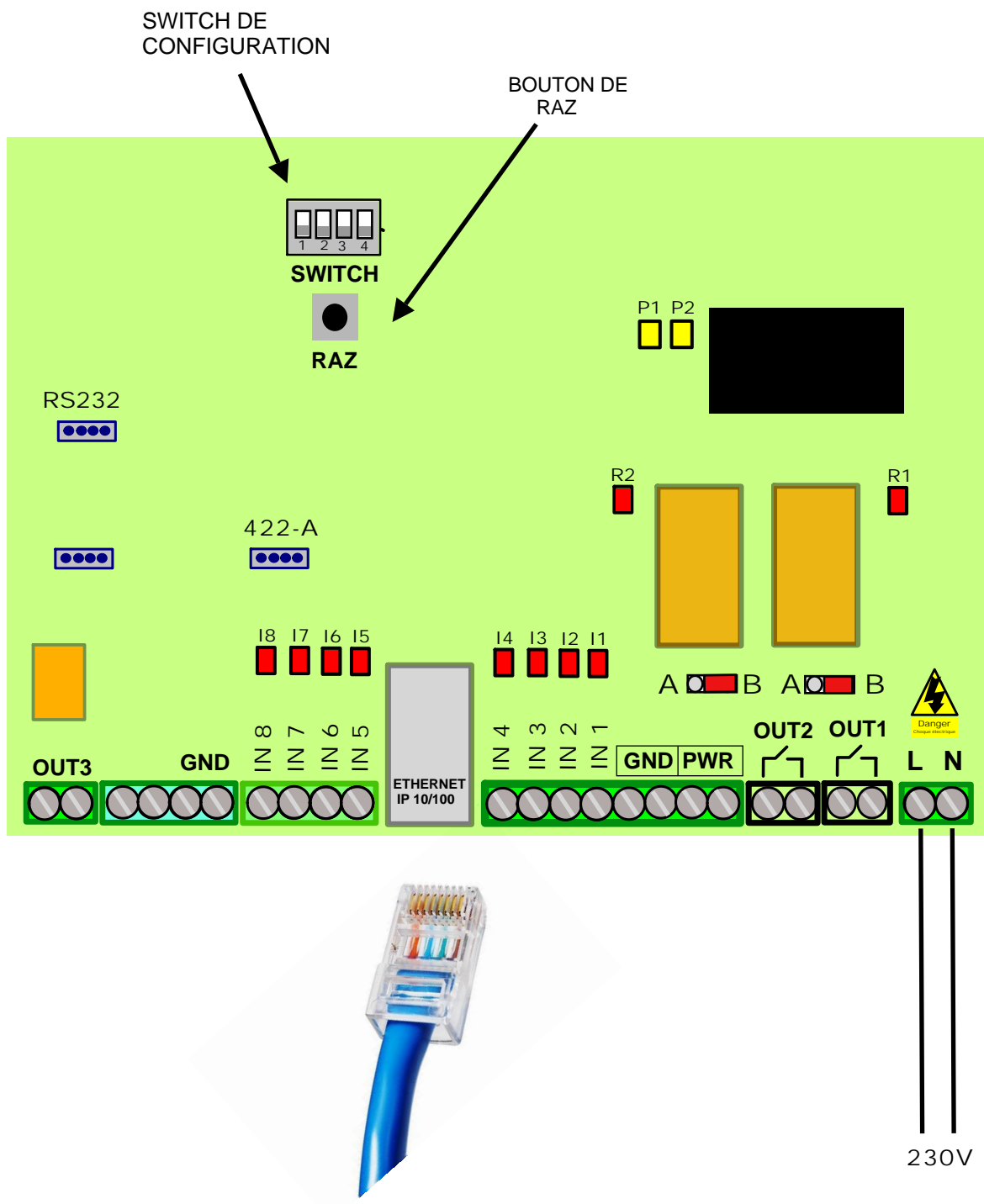


# CÂBLAGE TOTEM-MK2 v1.0



CABLAGE TOTEM-MK2 - PROROGATION			
1.0	www.datacomsys.fr	7/8/18	PL