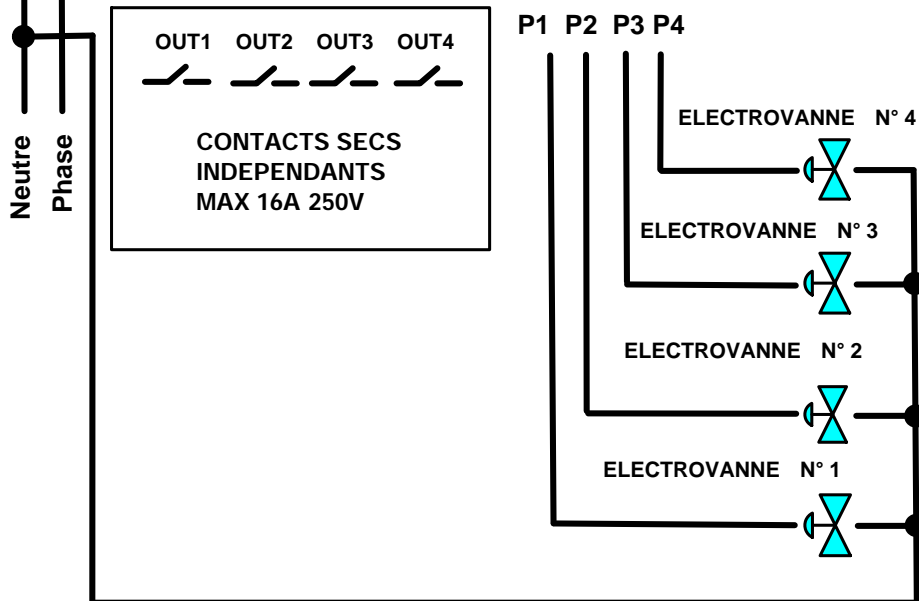
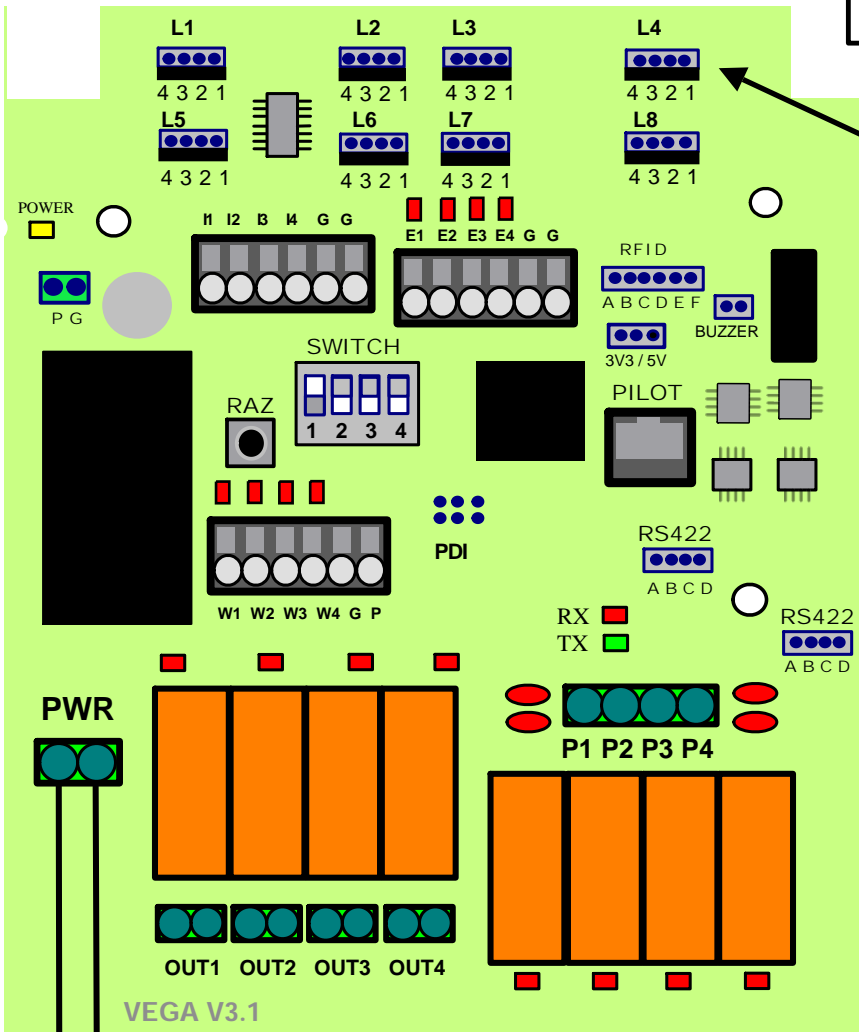
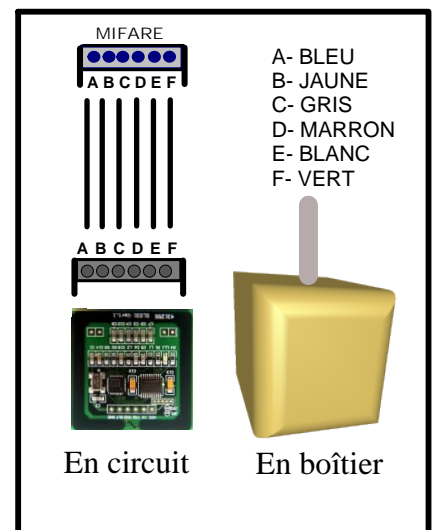
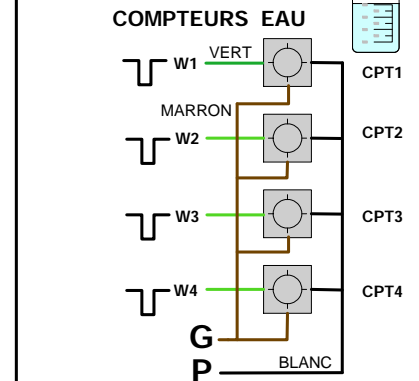
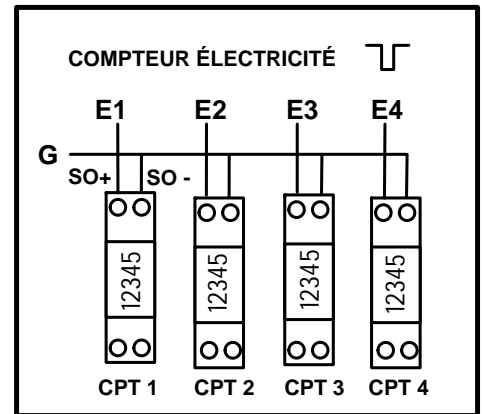
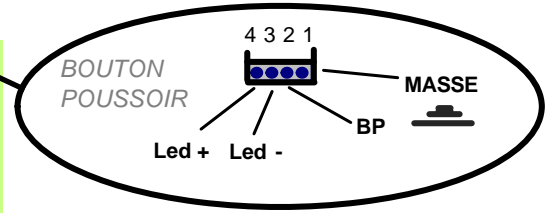


CABLAGE VEGA-MARK3 v1.0



SW1 / SW2 / SW3 / SW4 ON = RAZ USINE + AUTOTEST
 SW3 ON (SEUL) = MARCHE FORCEE
 SW4 ON = Mode DEGRADE

CABLAGE VEGA MARK 3 / RFID			
1.0	DataComSys	08/01/18	PL