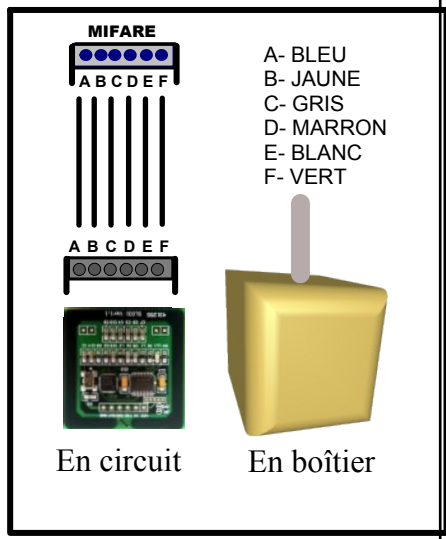
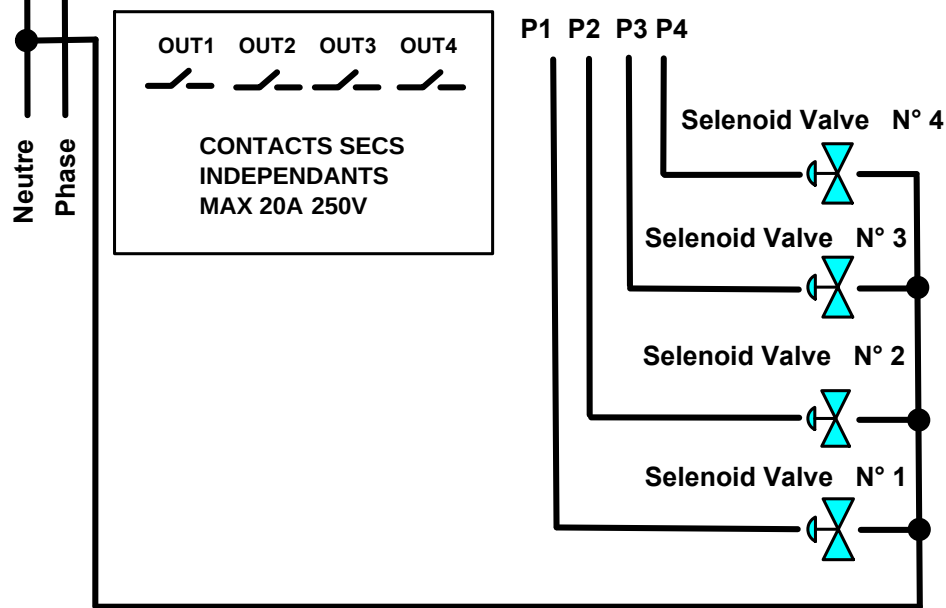
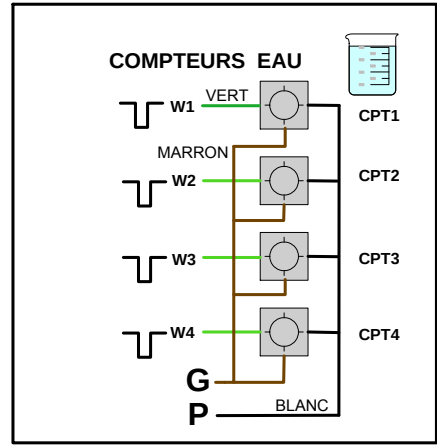
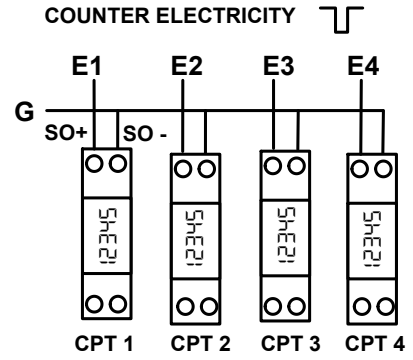
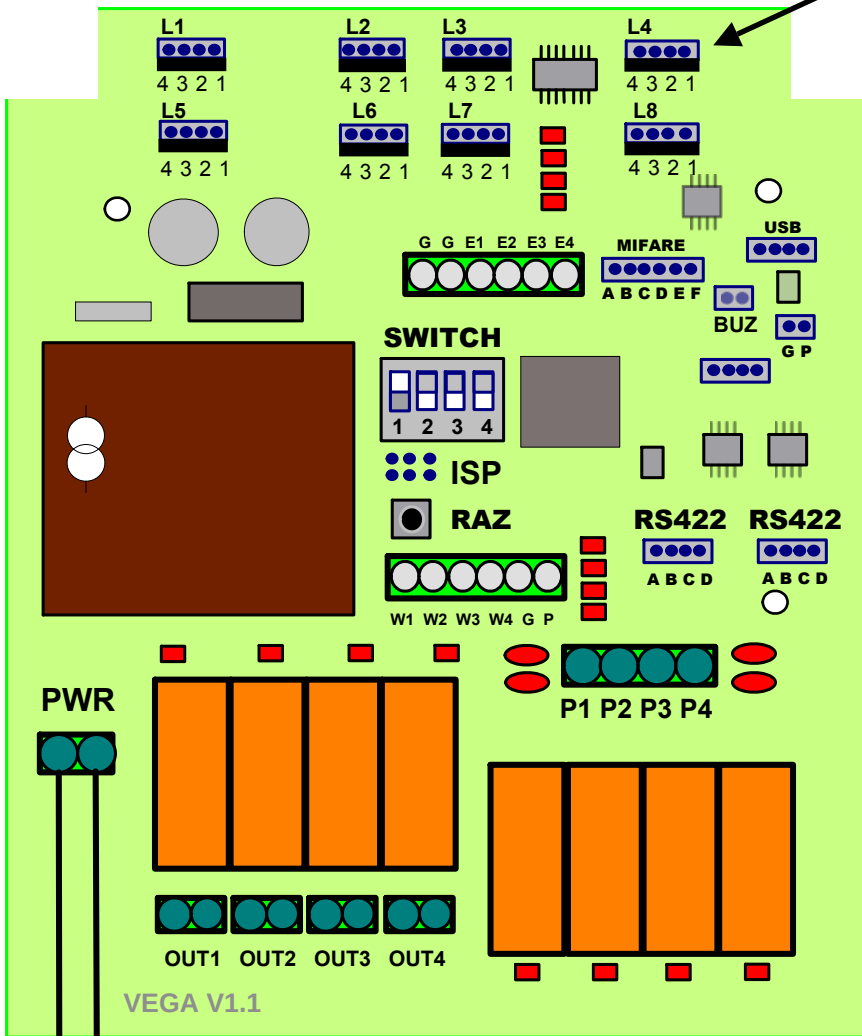
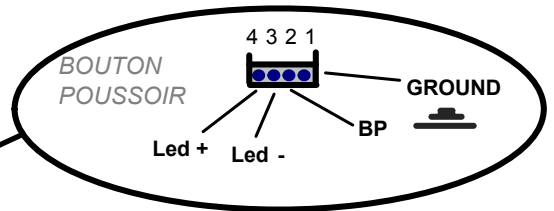


CABLAGE VEGA-MARK1 v1.4 MIFARE / BP



SW1 / SW2 / SW3 / SW4 ON = Mode AUTOTEST & TEST COMPTEURS
SW3 ON (only) = MARCHE FORCEE
SW4 ON = Direct Communication Mode (OFF for BUS application)

CABLAGE VEGA MARK 1 / MIFARE			
1.4	DataComSys	02/10/14	PL