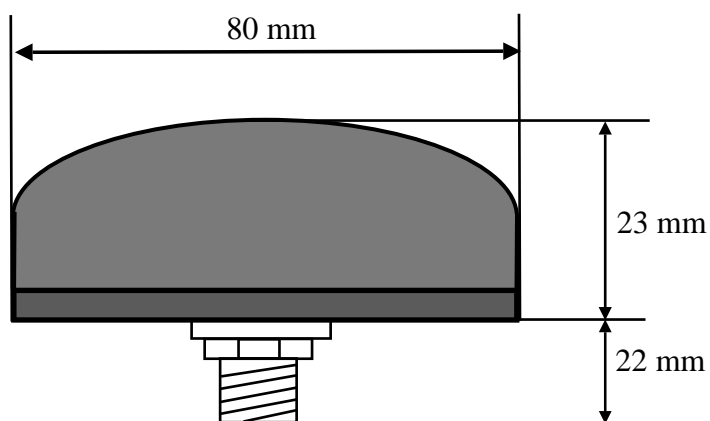


## ANTENNE TANGO



VIS D: 17 mm

- IP67
- GAIN 3dB
- CABLE de 3m prise SMA



This drawing is the property of DataComsys and must not be copied, passed on, or used for any other purpose.

**Title:** MECANIQUE TANGO v1.0

**Date:** 05/10/18

**Client:** DataComSys

**REF:** TANGO

**Projet:** LOGAPASS

**DRAWING BY:** P.L